

Product description

The compact construction form of the effeff 332.238 escape door strike allows rapid, uncomplicated mounting in a wide variety of profiles and door frames

Overview of Advantages

- Radius latch
- Small symmetrical construction shape
- Min. 2000 N, max. 3000 N holding force in accordance with prEN 13637
- Unlocking under pre-load with 100% holding force
- Monitoring contact is potential-free and armature contact is non-isolated *
- DL/DR and horizontal universal installation position
- Compact fitting dimensions
- Adjustable FaFix® latch: 2 mm adjustment range with 0.5 mm increments
- Compatible with ProFix® 2 strike plates
- Monitoring contact integrated in the housing
- Monitoring flap moves together with the FaFix® screw-on attachment, i.e. the switching point always remains the same

Scope of delivery

- 1 piece escape door strike

Note

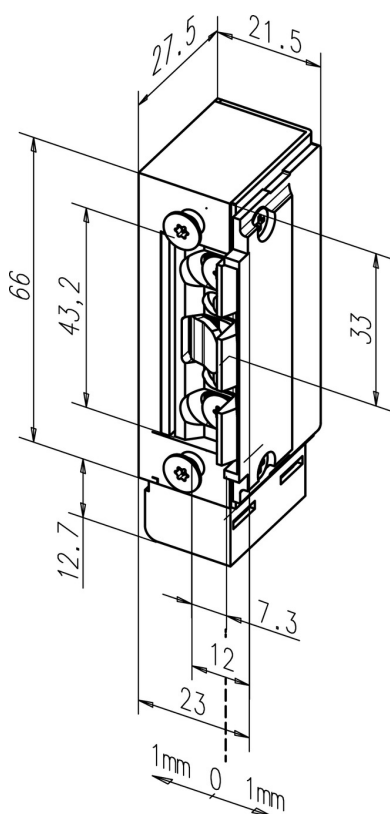
- Can only be used as a supplementary locking device on fire doors
- * Coupling Relay 7480 is required for parallel operation.
- Armature contact not potential-free. Operation with effeff control terminals without coupling relay possible.

Technical data

DIN-direction	Universal
potential	24 VDC
Adjustable keeper (FF, FaFix®)	Yes
Monitoring contact (RR)	Yes
Diode (05)	Yes
Fail-unlocked	Yes
Armature contact (AK/RR)	Yes
Rated operating voltage tolerance range	± 10%
Rated resistance	260 Ohm
Switching capacity - monitoring contact	24 V/ 1 A
Current consumption DC (stabilised)	90 mA
Break-in resistance	3000 N
Height	78,7 mm
Width	21,5 mm
Depth	27,5 mm
Latch bolt engaging depth	6 mm
FaFix® adjustment range	2 mm
Max. pre-load	3000 N
Operating temperature range	-15 °C to +40 °C
Continuous function load cycles	200000
Load cycles for in-plant test	500000
Installation position	Vertical and horizontal

Accessories/Individual parts

Order number	Product
807-10-----00	Model 807-10Adjustable; 110 x 24 mm, angled strike plate
807-11-----00	Model 807-11Adjustable; 135 x 20 mm; angular forend
807-12-----00	Model 807-12Adjustable; 110 x 24 mm; radius forend
807-13-----00	Mortise latch bolt lock model 807 radiusAdjustable; 110 x 20 mm; radius strike plate
7480-----F00	Coupling Relay Model 748024 V for escape door 332®



Article number	332.238-----F91
EAN	4042203322998